

USABLE FOR SLURRY

STAINLESS STEEL MAGNET DRIVE PUMP

TYPE MDS

Motor Output
Max.22kW

[PUMP TYPE IDENTIFICATION]

MDS 40 x 25 - 160 W

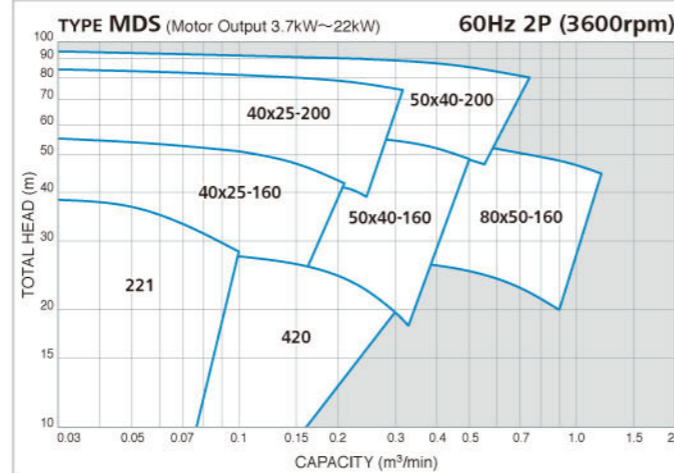
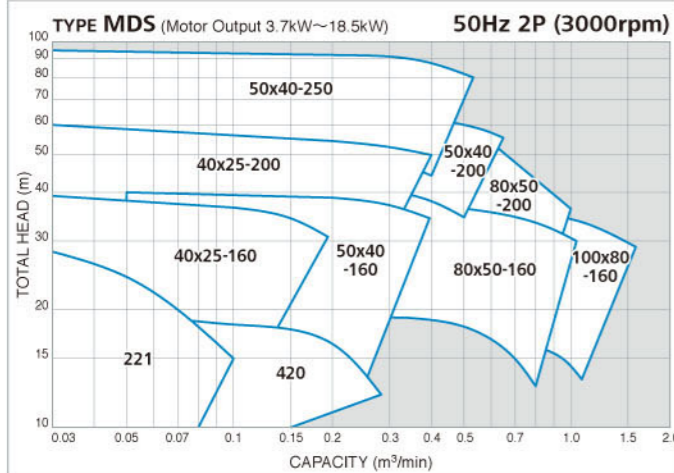
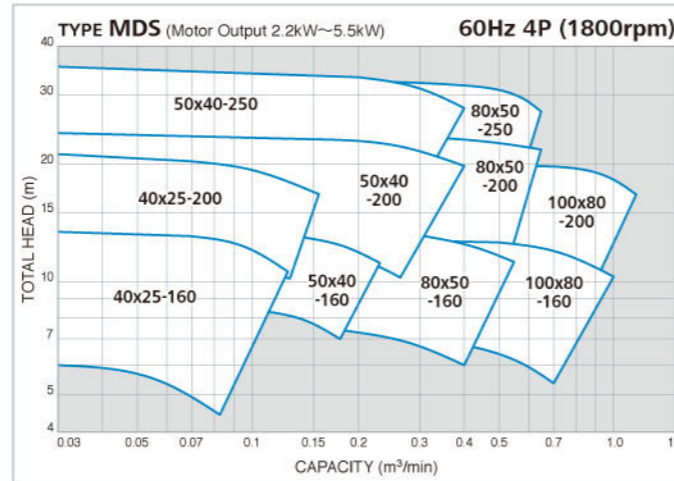
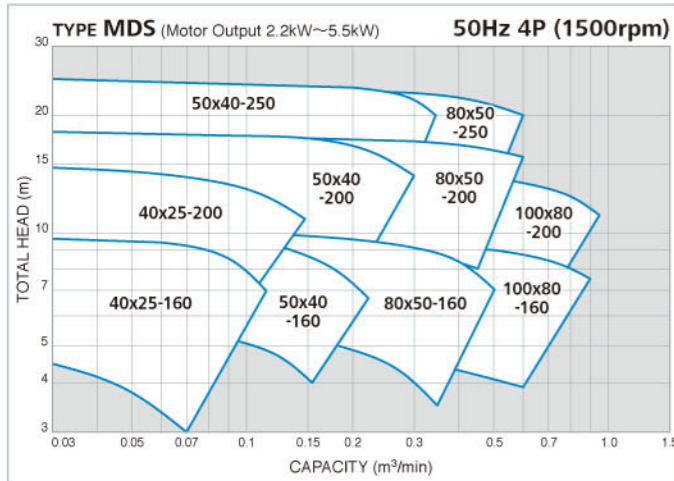
- ① PUMP TYPE ... MDS
- ② SUCTION BORE ... 25 ~ 100 (mm)
- ③ DISCHARGE BORE ... 20 ~ 80 (mm)
- ④ IMPELLER NOMINAL DIAMETER ... 160, 200, 250
- ⑤ DRIVE UNIT TYPE ... TYPE-W



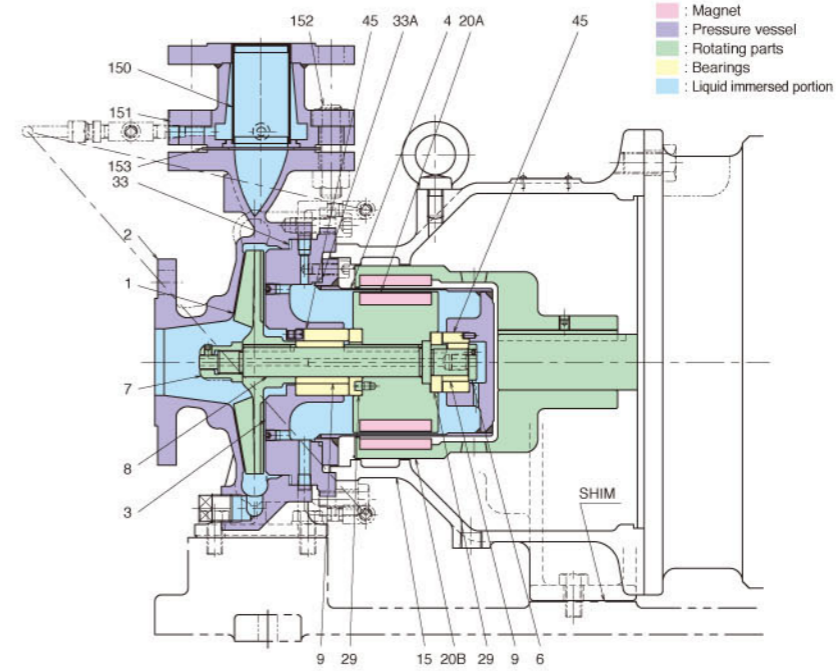
The pump can feed residual liquid sludge from BOD processes, waste-water feed liquids, washing waste liquids, salt slurries, pharmaceutical intermediates, catalysis, etc.



Selection charts

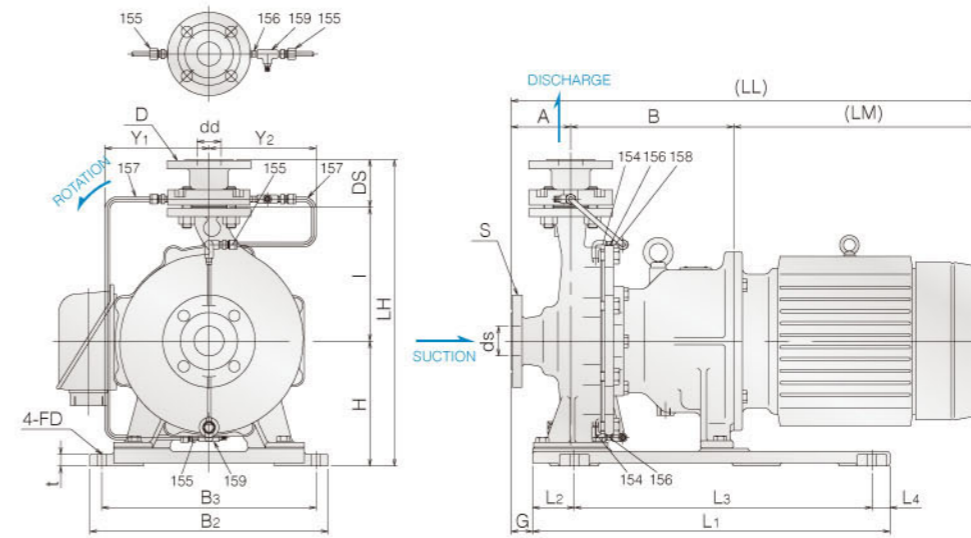


Construction and materials



MARK	NAME OF PART	MAT'L	No.REQ'D
153	GASKET	V7010	1
152	CONTINUOUS THREAD STUD BOLT & NUT	304SS	4 ^φ
151	SEPARATOR	316SS	1
150	ELEMENT	316SS	1
70	BASE PLATE	FC200	1
45	BUSHING	SIC	1+1
33A	O RING	PTFE	1
33	GASKET	V7010	1
29	THRUST RING	SIC	1+1
20B	MAGNET COUPLING(M)	FCD400	1
20A	MAGNET COUPLING(P)	316SS	1
15	FRAME ADAPTER	FC200	1
9	SLEEVE	SIC	1+1
8	INNER MAGNET SHAFT	316SS	1
7	IMPELLER NUT	316LSS	1
6	SLEEVE BOLT	316SS	1
4	REAR CASING	316SS	1
3	CASING COVER	316SS	1
2	CASING	316SS	1
1	IMPELLER	316SS	1

Outline dimension



MARK	NAME OF PART	MAT'L	No.REQ'D	REMARK.
159	TEE	SUS316	2	Rc1/8
158	ELBOW	SUS316	1	Rc1/8
157	PIPE	SUS316	2	φ 8
156	NIPPLE	SUS316	3	Rc1/8
155	HALF UNION	SUS316	4	Rc1/8
154	ELBOW	SUS316	2	Rc1/8xR1/8

(In the unit of mm)

PUMP SIZE	MOTOR FRAME	PUMP & MOTOR							BASE PLATE					PIPE			MASS APPROX(kg)						
		A	B	H	I	DS	LH	LM	LL	G	L1	L2	L3	L4	B2	B3	t	FD	Y1	Y2	PUMP	MOTOR	TOTAL
221	90L	65	180	170	130	70	370	275	520	125	250	30	190	—	200	160	18	φ12	124	—	33	18	51
	(100L),112M	—	190	—	—	—	—	326	581	—	—	—	—	—	—	—	—	—	—	—	36	37	73
420	90L	75	185	170	135	75	380	275	535	140	250	30	190	—	200	160	18	φ12	124	—	37	18	55
	(100L),112M	—	195	—	—	—	—	326	596	—	—	—	—	—	—	—	—	—	—	—	42	37	79
40x25-160W	180M,180L	80	288	310	150	75	535	575	943	20	660	60	550	50	410	360	16	φ20	140	175	84	195	279
40x25-200W	180M,180L	80	288	310	180	75	465	575	943	20	660	60	550	50	410	360	16	φ20	175	175	89	195	284
50x40-160W	180M,180L	80	288	310	160	80	550	575	943	20	660	60	550	50	410	360	16	φ20	175	180	89	195	284
50x40-200W	180M,180L	80	288	310	180	80	570	575	943	20	660	60	550	50	410	360	16	φ20	175	180	93	195	288
50x40-250W	180M,180L	100	304	310	225	80	615	575	979	36	660	60	550	50	410	360	16	φ20	175	180	112	195	307
80x50-160W	180M,180L	100	288	310	180	80	570	575	963	20	660	60	550	50	410	360	16	φ20	175	190	94	195	289
80x50-200W	180M,180L	100	304	310	200	80	590	575	979	36	660	60	550	50	410	360	16	φ20	175	190	102	195	297
80x50-250W	180M,180L	125	304	310	225	80	615	575	1004	61	660	60	550	50	410	360	16	φ20	175	190	117	195	312
100x80-160W	180M,180L	100	304	310	200	85	595	575	979	36	660	60	550	50	410	360	16	φ20	160	200	110	195	305
100x80-200W	180M,180L	100	304	310	225	85	620	575	979	36	660	60	550	50	410	360	16	φ20	160	200	108	195	303