

TYPE MPO

SEALLESS

OPEN-IMPELLER STAINLESS STEEL MAGNET DRIVE PUMPS

Motor output :

0.2kW to 7.5kW

- ▶ Sealless magnet drive pump with **open impeller**.
- ▶ Sealless magnet drive construction will not leak !
- ▶ Capable of **handling some sludge and slurries**.
- ▶ **Very low NPSH**.
- ▶ Pumps **can be electro polished** for handling DI, H₂O, etc (Option).
- ▶ Very easy to disassemble and reassemble when required.
- ▶ **SiC-D bearings withstand accidental dry-run on start up**.



TYPE MPO -30°C~+150°C 0.75kW~7.5kW

Extention
5.5kW,7.5kW

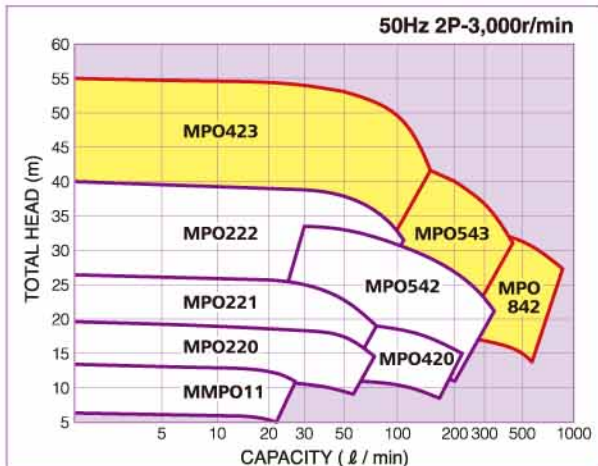
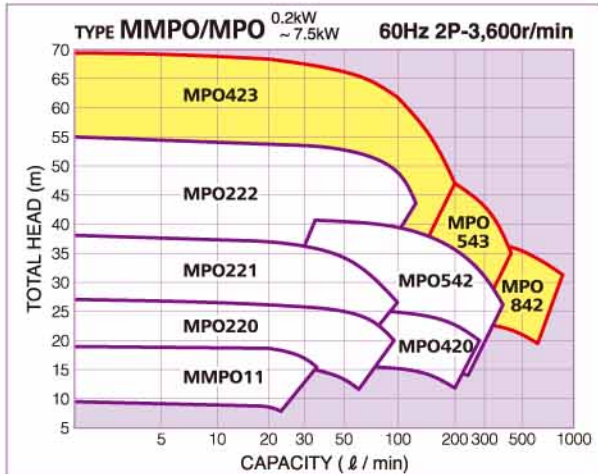


TYPE MMPO
-30°C~+150°C
200W,400W

Open type
impeller →

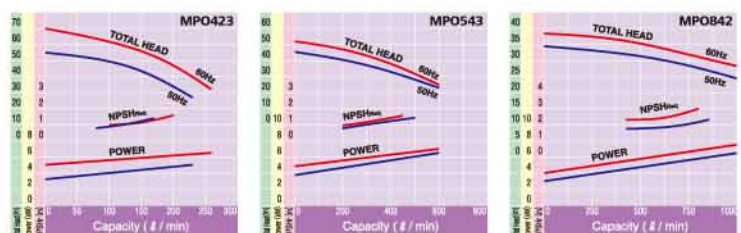
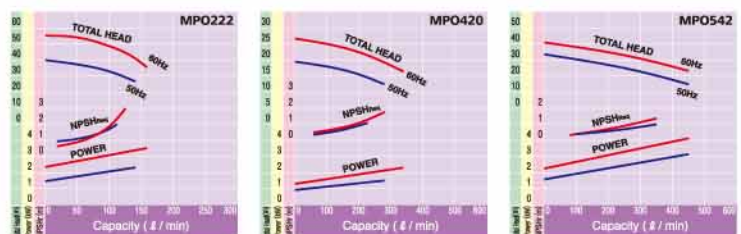
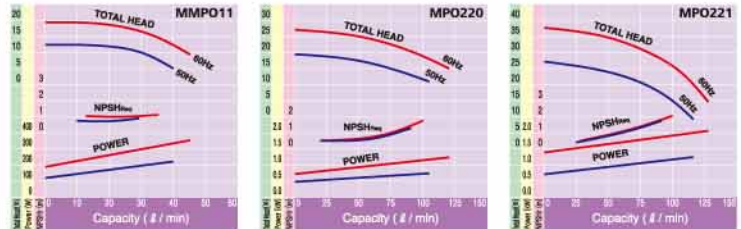


Selection charts



Performance curves

(60Hz 2P-3,600r/min, 50Hz 2P-3,000r/min)



Applicable slurry liquid

Waste water	Clay, active carbon, catalyst
Inorganic slurry	Iron sulfide, silica
Iron oxide, titanium oxide	Various organic slurry liquid



Can correspond to liquid such as this;

Please inquire about the corresponding conditions.



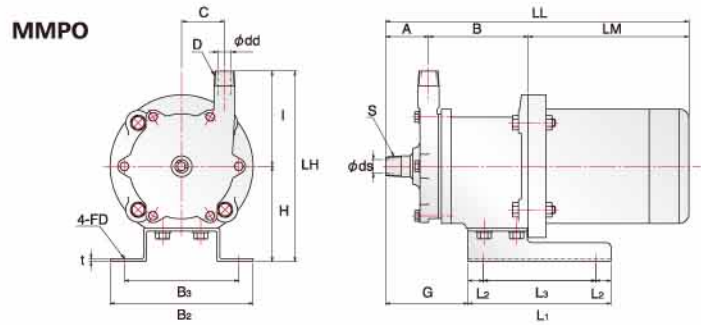
MAGPAC® series

MPO / MMPO

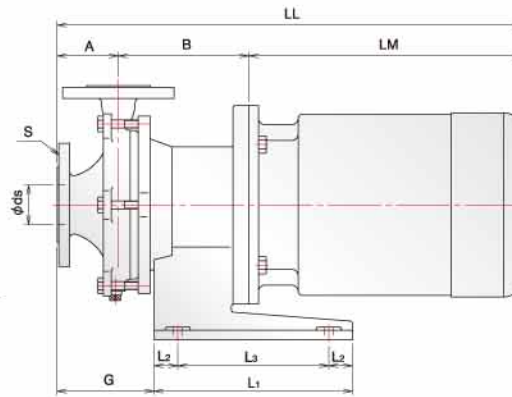
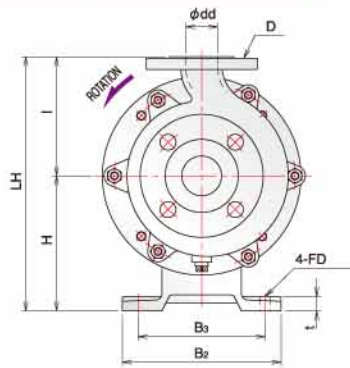
Specifications

	MMPO		MPO	
	50Hz	60Hz	50Hz	60Hz
Frequency	50Hz	60Hz	50Hz	60Hz
Max. total head	12m	18m	54m	68m
Max. capacity	40 g/min	45 g/min	800 g/min	800 g/min
Max. temperature applicable	150°C			
Min. temperature applicable	-30°C			
Max. liquid specific gravity	2			
Max. liquid viscosity	100mPa·s(cP)		300mPa·s(cP)	
Design pressure	0.6MPaG		1.0MPaG	
Bore (suction x discharge)	15x15mm		25x20,80x40mm	
Flange standard	R thread / NPT thread		JIS 10K RF / ASME 150LB RF	
Type of impeller	Open type			
Motor output rating	200 , 400W		0.75~7.5kW	
Pump material	SCS14(SUS316)		SCS14(SUS316),ALLOY20, Hastelloy C equivalent	
Liquid-immersed bearings	SiC-D			

Outline dimension



MPO



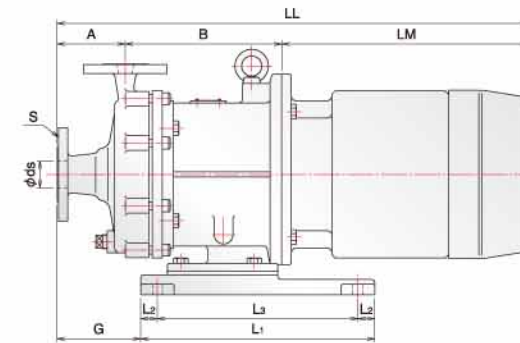
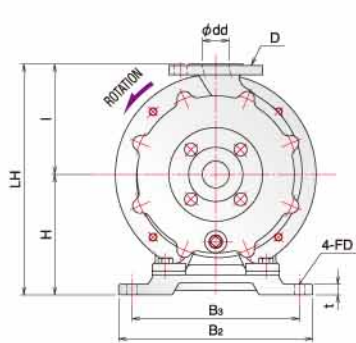
(In the unit of mm)

PUMP SIZE	MOTOR		BORE				PUMP & MOTOR								BASE PLATE					WEIGHT APPROX(kg)					
	FRAME SIZE	OUTPUT (kW)	SUCT ds	S	DISCH dd	D	A	B	C	H	I	LH	LM	LL	G	L1	L2	L3	B2	B3	t	FD	PUMP	MOTOR	TOTAL
MMPO11	63M	0.2	15	R1/2	15	R1/2	45	104	45	100	100	200	216	365	86	150	16	118	150	120	3	phi 9.5	8	8	16
	71M	0.4					111	230					386	8									11	19	
MPO220	80M	0.75	25	JIS 10K RF or ASME 150LB RF	20	JIS 10K RF or ASME 150LB RF	60	170	0	110	120	230	233	463	110	180	30	120	160	130	12	phi 12	23	12.5	35.5
	90L	1.5					275	505					23	16.5									39.5		
MPO221	90L	1.5,2,2	25	JIS 10K RF or ASME 150LB RF	20	JIS 10K RF or ASME 150LB RF	65	165	0	170	130	300	275	505	110	250	30	190	200	160	18	phi 12	27	18	45
	(100L)112M	(2.2),3,7					326	566					30	37									67		
MPO222	90L	1.5,2,2	25	JIS 10K RF or ASME 150LB RF	20	JIS 10K RF or ASME 150LB RF	65	165	0	170	140	310	275	505	110	250	30	190	200	160	18	phi 12	29	18	47
	(100L)112M	(2.2),3,7					326	566					33	37									70		
MPO420	90L	1.5,2,2	40	JIS 10K RF or ASME 150LB RF	25	JIS 10K RF or ASME 150LB RF	75	170	0	170	135	305	275	520	125	250	30	190	200	160	18	phi 12	29	18	47
	(100L)112M	(2.2),3,7					326	581					34	37									71		
MPO542	90L	2.2	50	JIS 10K RF or ASME 150LB RF	40	JIS 10K RF or ASME 150LB RF	65	165	0	170	150	320	275	505	110	250	30	190	200	160	18	phi 12	34	18	52
	(100L)112M	(2.2),3,7					326	566					38	37									75		

Outline dimensions are quite same as type MMP and MP.

LM,LL dimensions and motor weight may vary depending on motor used.

MPO423, MPO543, MPO842



(In the unit of mm)

PUMP SIZE	MOTOR		BORE				PUMP & MOTOR								BASE PLATE					WEIGHT APPROX(kg)				
	FRAME SIZE	OUTPUT (kW)	SUCT ds	S	DISCH dd	D	A	B	H	I	LH	LM	LL	G	L1	L2	L3	B2	B3	t	FD	PUMP	MOTOR	TOTAL
MPO423	132S	5.5 , 7.5	40	JIS 10K RF or ASME 150LB RF	25	JIS 10K RF or ASME 150LB RF	102	234	180	165	345	393	729	125	350	25	300	290	250	18	phi 15	63	61	124
MPO543	132S	5.5 , 7.5	50		40		102	234	180	165	345	393	729	125	350	25	300	290	250	18	phi 15	65	61	126
MPO842	132S	5.5 , 7.5	80		40		102	234	180	165	345	393	729	125	350	25	300	290	250	18	phi 15	67	61	128

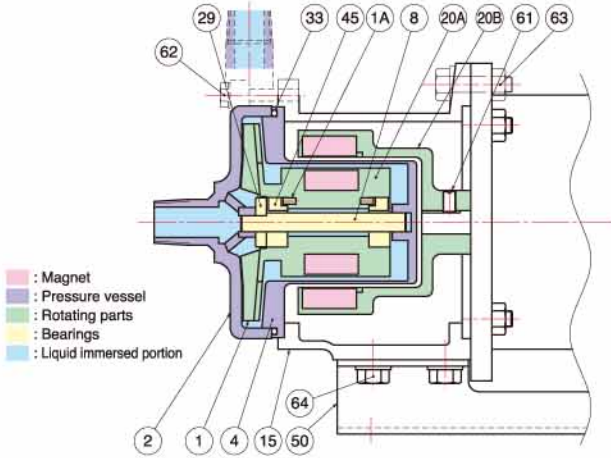
LM,LL dimensions and motor weight may vary depending on motor used.

MAGPAC® series

MPO / MMPO

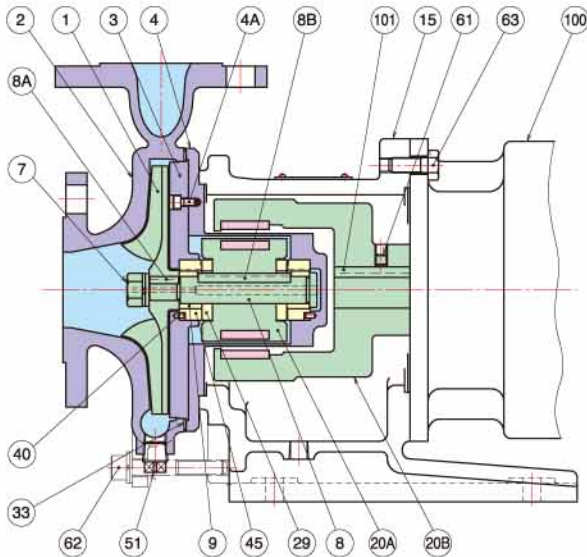
Construction and materials

MMPO



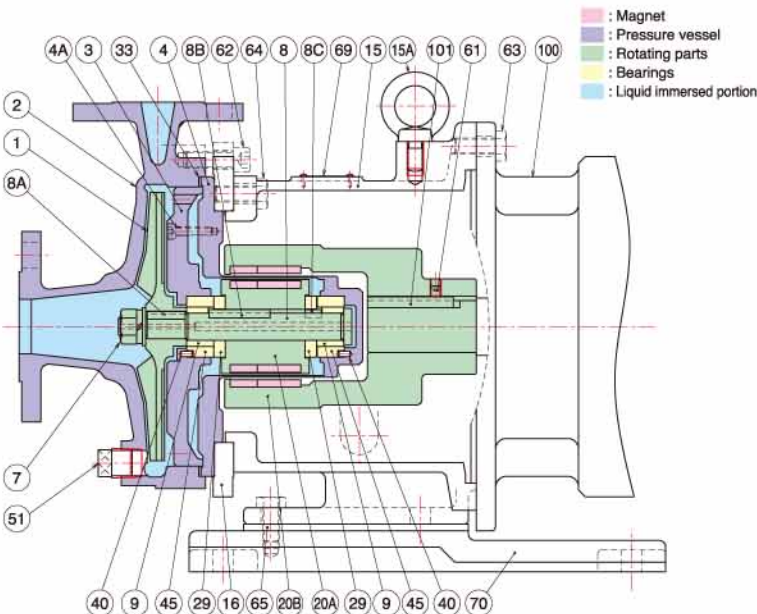
MARK	NAME OF PART	MAT'L	No. REQ'D
64	BOLT WITH WASHER	SUS304	4 ^S
63	BOLT WITH WASHER	SUS304	4 ^S
62	BOLT WITH WASHER	SUS304	6 ^S
61	SET SCREW	SCM435	1
50	BASE	SUS304	1
45	BUSHING	SIC-D	2
33	O RING	PTFE	1
29	THRUST RING	SIC	1
20B	MAGNET	RARE EARTH	1 ^S
	MAGNET COUPLING(M)	FCD	1
20A	MAGNET	RARE EARTH	1 ^S
	MAGNET COUPLING(P)	SUS316	1
15	FRAME ADAPTER	FC200	1
8	SHAFT	SIC	1
4	REAR CASING	SUS316	1
2	CASING	SCS14	1
1A	PIN	SUS316	2
1	IMPELLER	SCS14	1

MPO



MARK	NAME OF PART	MAT'L	No. REQ'D
101	COUPLING KEY(M)	S45C	1
100	MOTOR	-	1
63	HEXAGON HEAD BOLT	SUS304	4
62	HEXAGON SOCKET HEAD CAP SCREW WITH WASHER	SUS304	6 ^S
61	SET SCREW	SCM435	1
51	PLUG	SUS	1
45	BUSHING	SIC	2
40	PIN	SUS	2
33	SHEET GASKET	PTFE	1
29	THRUST RING	SIC	2
20B	MAGNET	RARE EARTH	1 ^S
	MAGNET COUPLING(M)	FCD	1
20A	MAGNET	RARE EARTH	1 ^S
	MAGNET COUPLING(P)	SUS	1
15	FRAME ADAPTER	FC200	1
9	SLEEVE	SIC-D	2
8B	COUPLING KEY(P)	SUS	1
8A	IMPELLER KEY	SUS	1
8	SHAFT	SUS	1
7	IMPELLER NUT WITH WASHER	SUS	1 ^S
4A	HEXAGON SOCKET HEAD CAP SCREW	SUS	4
4	REAR CASING	SUS	1
3	CASING COVER	SUS	1
2	CASING	SCS	1
1	IMPELLER	SCS	1

MPO423, MPO543, MPO842



MARK	NAME OF PART	MAT'L	No. REQ'D
101	COUPLING KEY(M)	S45C	1
100	MOTOR	-	1
70	BASE	FC200	1
65	HEXAGON HEAD BOLT	SUS304	4
64	HEXAGON HEAD BOLT	SUS304	4
63	HEXAGON HEAD BOLT	SUS304	4
62	HEXAGON SOCKET HEAD CAP SCREW	SUS304	6 ^S
61	SET SCREW	SCM435	1
51	PLUG	SUS	1
45	BUSHING	SIC	2
40	PIN	SUS	2
33	SHEET GASKET	PTFE	1
29	THRUST RING	SIC	2
20B	MAGNET	RARE EARTH	1 ^S
	MAGNET COUPLING(M)	SS400	1
20A	MAGNET	RARE EARTH	1 ^S
	MAGNET COUPLING(P)	SUS	1
16	FLANGE	SUS304	1
15A	EYE BOLT	SF440	1
15	FRAME ADAPTER	FC200	1
9	SLEEVE	SIC-D	2
8C	SLEEVE KEY	SUS	1
8B	COUPLING KEY	SUS	1
8A	IMPELLER KEY	SUS	1
8	SHAFT	SUS	1
7	IMPELLER NUT	SUS	1 ^S
4A	HEXAGON SOCKET HEAD CAP SCREW	SUS	4
4	REAR CASING	SUS	1
3	CASING COVER	SUS	1
2	CASING	SCS	1
1	IMPELLER	SCS	1